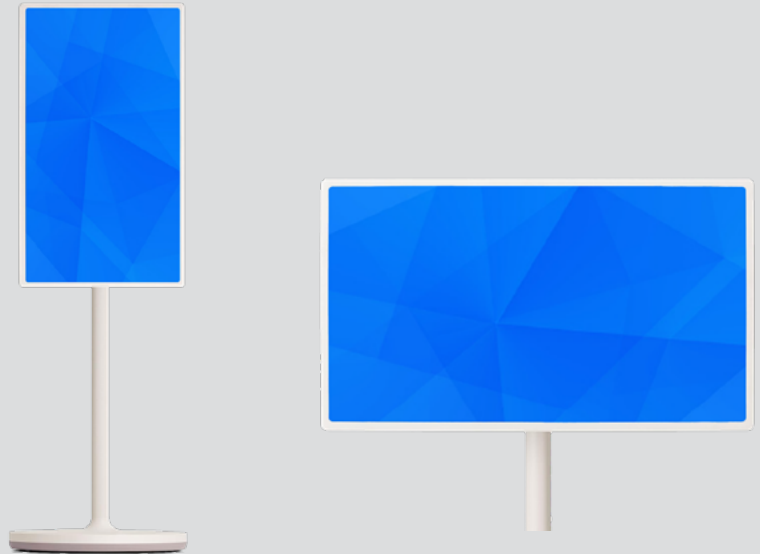




TD5320S Touch Displays with Integrated Stand

Commercial-Grade



One Platform, Endless Possibilities

An Ecosystem of products specifically designed for professionals.



Professional-Grade

The CE Labs TD Series displays have a powerful Android OS and are designed specifically for digital signage that engages, informs, and entertains.



APPS

CE Labs TD Series display platform supports hundreds of apps. With endless possibilities we have a business solution right for you.



3 Year Warranty

All TD Series displays are built for professionals and come superior customer support and a standard with a 3 Year warranty.

PRODUCT OVERVIEW

The CE Labs all-in-one Touch Display series is one of the most versatile product lines on the market. The TD Series, powered by Android, outperforms the competition with a best-in-class 10-point INCELL Touch IPS display, integrated Wi-Fi. The TD product line is available in black or white and a variety of sizes. With their compact form factor and sleek design, CE Labs touchscreen displays provide a cost-effective, commercial-grade solution ideal for professional applications that require reliable 18/7 performance.

With CESync™, our intuitive out-of-the-box experience makes connecting your Touch display quick and easy. With the addition of one of our many SaaS partner apps, a CE Labs touch display is ideal for retail point of purchase displays, interactive kiosks, corporate, and hospitality environments.

FEATURES

Portable integrated stand

Optional upgrade - RAM 8GB, Memory 64GB

Gigabit ethernet and Wi-Fi 6 for superior connectivity

SPECIFICATIONS

MODEL: TD5320S

DISPLAY

- Panel: Full HD 32" IPS LCD panel
- Resolution: 1920*1080@60HZ, Aspect Ratio: 16x9
- Touch screen: 10-Point INCELL Touch
- Active area: 698.40m(H) x 392.9mm(V)
- Viewing angle: 89/89/89/89(L/R/U/D)
- Contrast Ratio: 1000:1
- Color Gamut: sRGB 99%
- Brightness: 250 cd/m²
- Response Time: 14ms
- Operation Hours: 18/7

SYSTEM

- CPU: 8 core Cortex
- RAM: 4GB (Optional upgrade: 8GB/16GB)
- Internal Memory: 32GB (Optional upgrade: 64GB/128GB)
- Operating System: Android 12
- CESync Software

MULTIMEDIA APPLICATIONS

- Video formats: MPEG-1/MPEG-2/MPEG-4/H.264/H.265/VC-1/VP9
- Audio formats: MP3/WMA/AAC/WAV/OGG, etc
- Picture formats: JPEG, PNG, GIF, etc.

DIMENSIONS

- Dimensions: w28.87" x h17" x d1.4" / (733.4mm x 432mm x 37mm)
- Product weight: 14 lbs / 6.3 kg

ACCESSORIES

Power adapter IN: 100-240V AC | OUT: 18V/5A

NETWORK

- Ethernet: 100M/1000M
- Wifi: 6, (Optional: 4G)
- Bluetooth: 5.0

I/O PORTS

- Power Jack: 120/240V DC power input 18V/5A
- HDMI IN: 1920*1080@60hz, HDMI 2.0
- USB: 3.0x2, USB multi-function interface
- USB: 2.0x1
- RJ45: 100M/1000M Ethernet
- Earphone: 3.5mm earphone
- Type-c Full funtion(except charging)
- MIC IN : 3.5mm

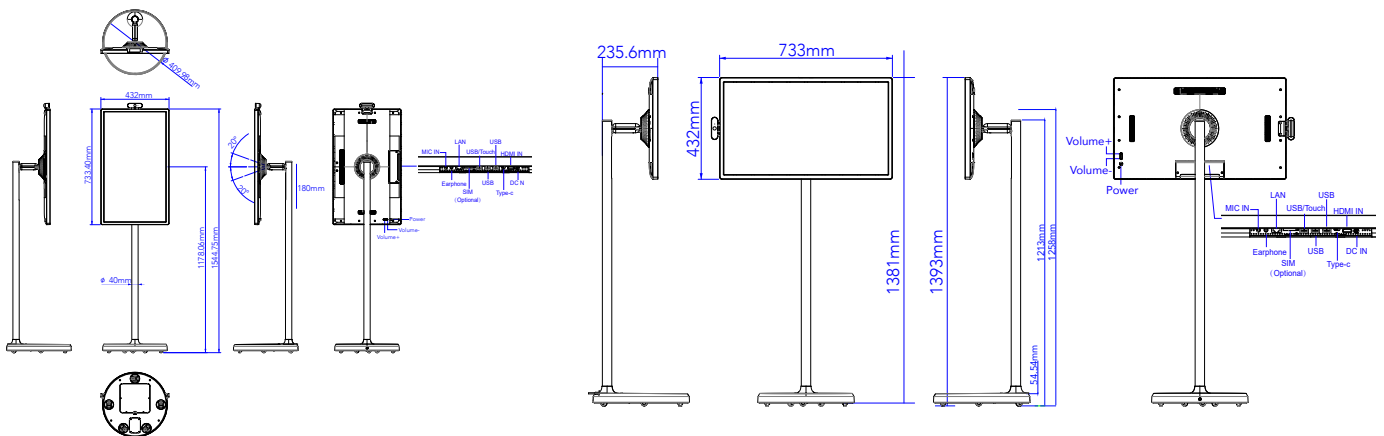
OPERATING CONDITIONS

- Temperature range (operation): 0-40°
- Temperature range (storage): 20 - 60°
- MTBF: 50,000 hour(s)
- Humidity range (operation) [RH]: 20 ~ 80% RH (No condensation)
- Humidity range (storage)[RH]: 5 ~ 95% RH (No condensation)

MISCELLANEOUS

- Wall mounting VESA: 100mm*100mm
- Product Colors: White/Black
- Multi-language support
- Optional camera: External USB (2.0MP or 5.0MP)
- Optional battery: 7500mA/ 4hr
- Internal speaker: 5Wx2
- Power consumption: 30W

WARRANTY: *3 year warranty, parts and labor.



Learn more about CE Labs at www.celabs.com.

United States
1-800-767-6189
sales@celabs.com

CE Labs, LLC reserves the right to change or update without notice. CE Labs, the CE Labs logo and CESync are registered trademarks of CE Labs, LLC. All other trademarks are the property of their respective owner. 2021 CE Labs, LLC. All rights reserves.

